



**DOSATRON®**

*WATER POWERED DOSING TECHNOLOGY*

---

# SCHEMATICS

## Dosatron Liquid Dispenser **Model # D20S – 100 GPM**

1:500 – 1:50

2 – 120 PSI

### **Suggested Installation:**

200 mesh/80 micron water filter prior to unit

One-way check valve downstream from unit for water hammer protection

### **Suggested Maintenance Interval:**

Replace injection seals every 12 months

Replace Maintenance Kit components every 3 to 4 years

(Kit references available on Page 1)

---

### **DOSATRON SALES & SERVICE - NORTH & CENTRAL AMERICA**

Dosatron International, Inc.

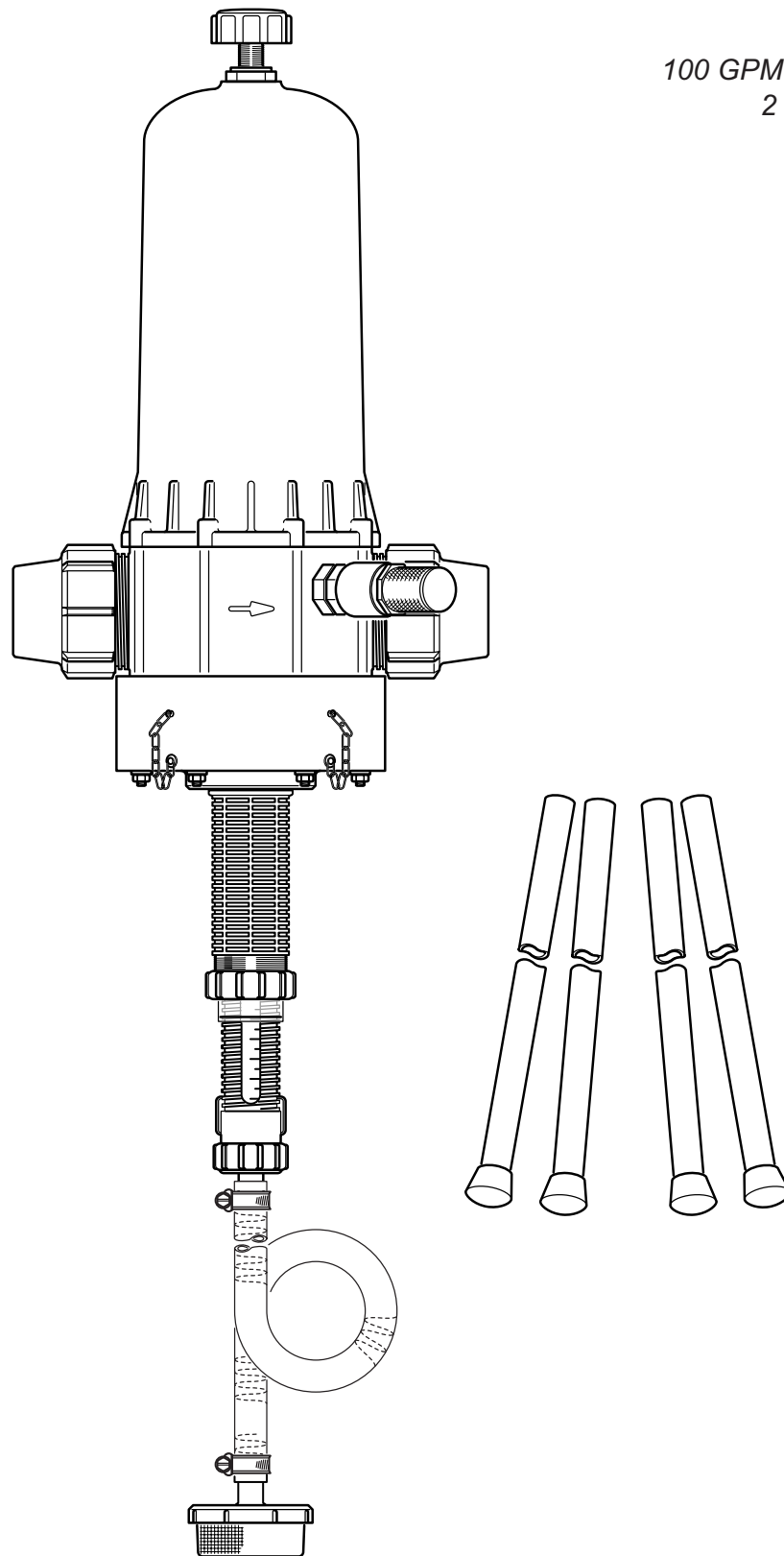
Phone: 727-443-5404 Service: (800) 523-8499

Fax: 727-447-0591

[www.dosatronUSA.com](http://www.dosatronUSA.com)

**D20S**  
11/03

100 GPM - 1:500 - 1:50  
2 - 120 psi

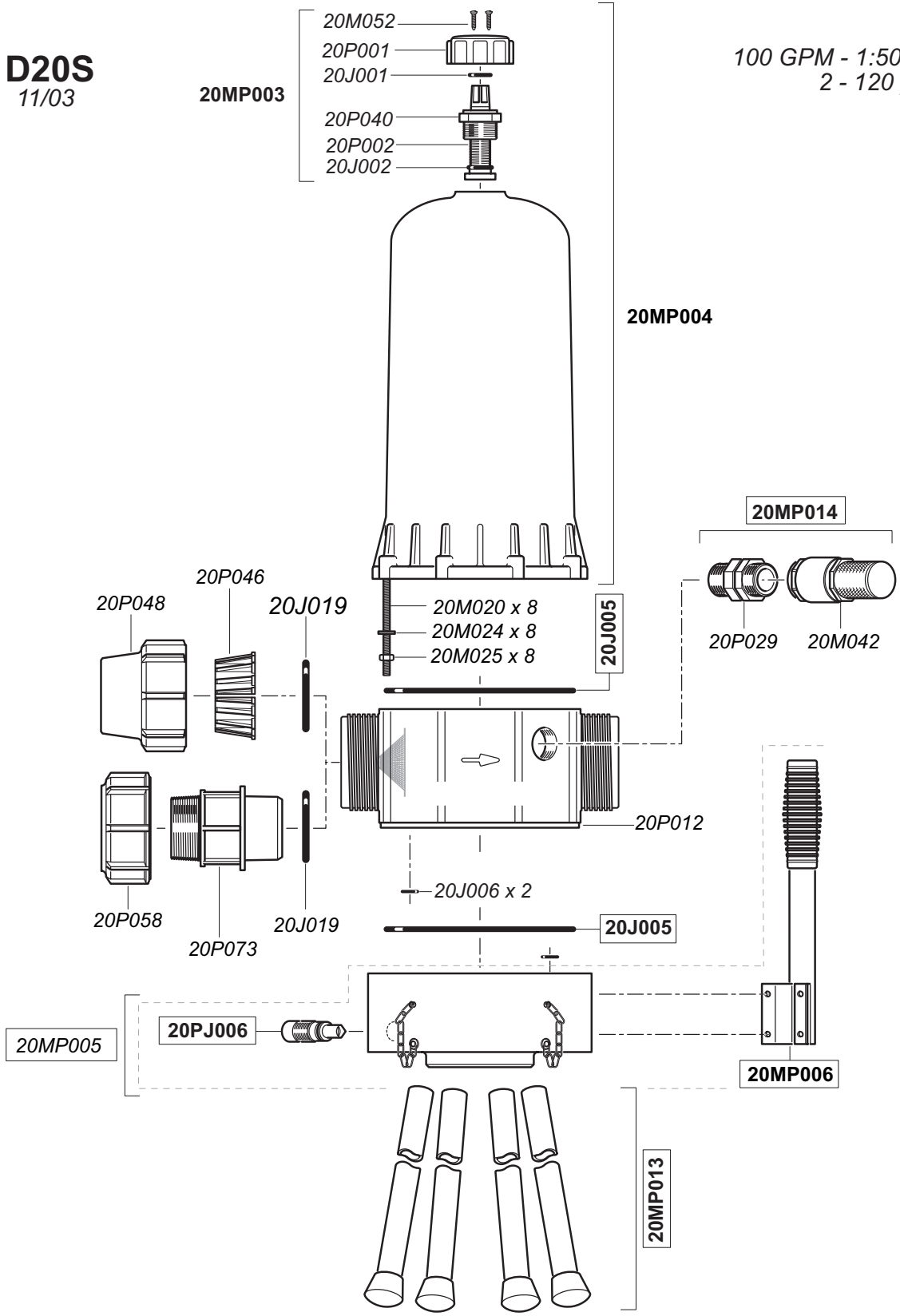


20ED 001 - Injection Seal Kit

20ED 002 - Motor Seal Kit

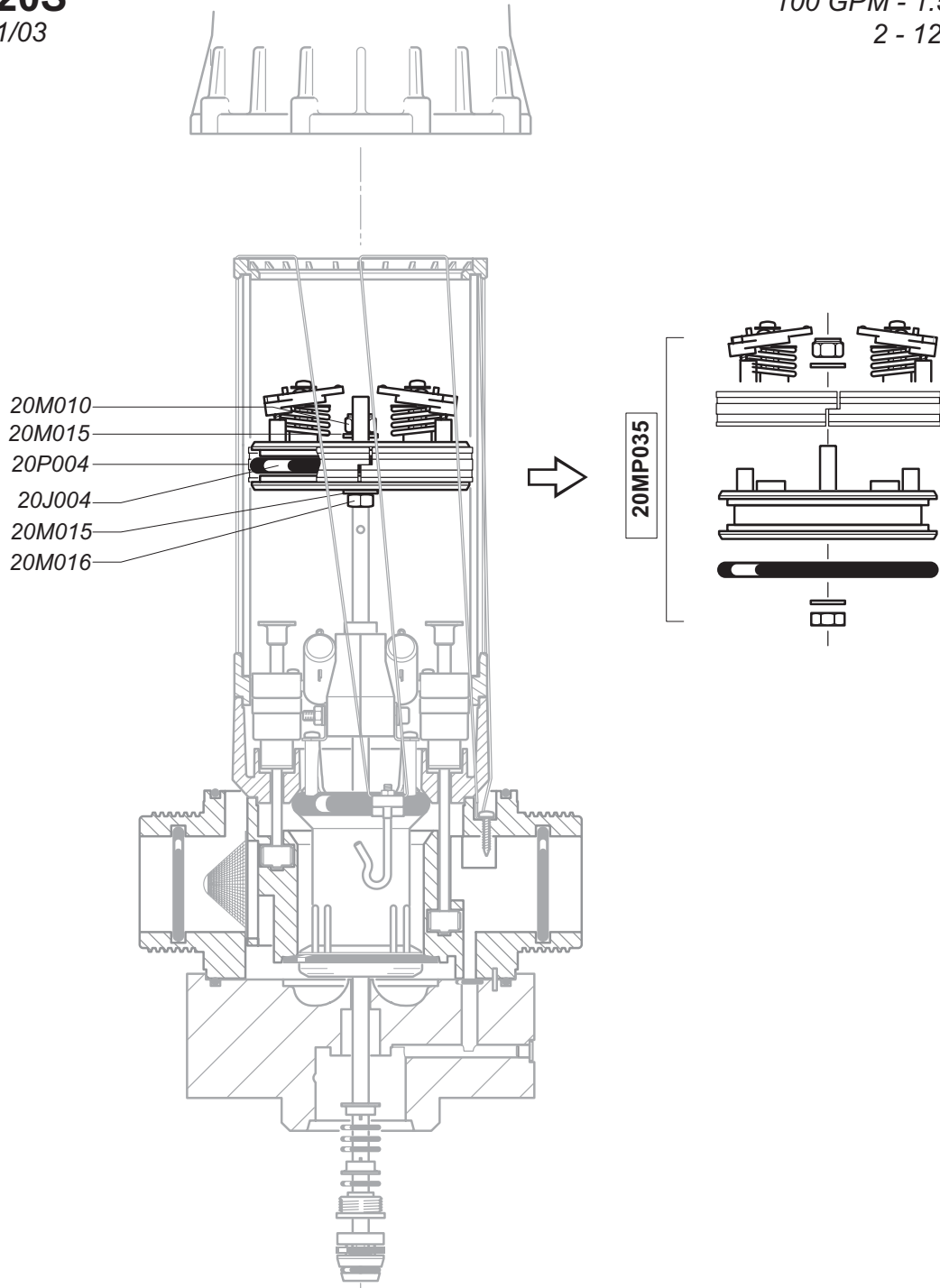
**D20S**  
11/03

100 GPM - 1:500 - 1:50  
2 - 120 psi



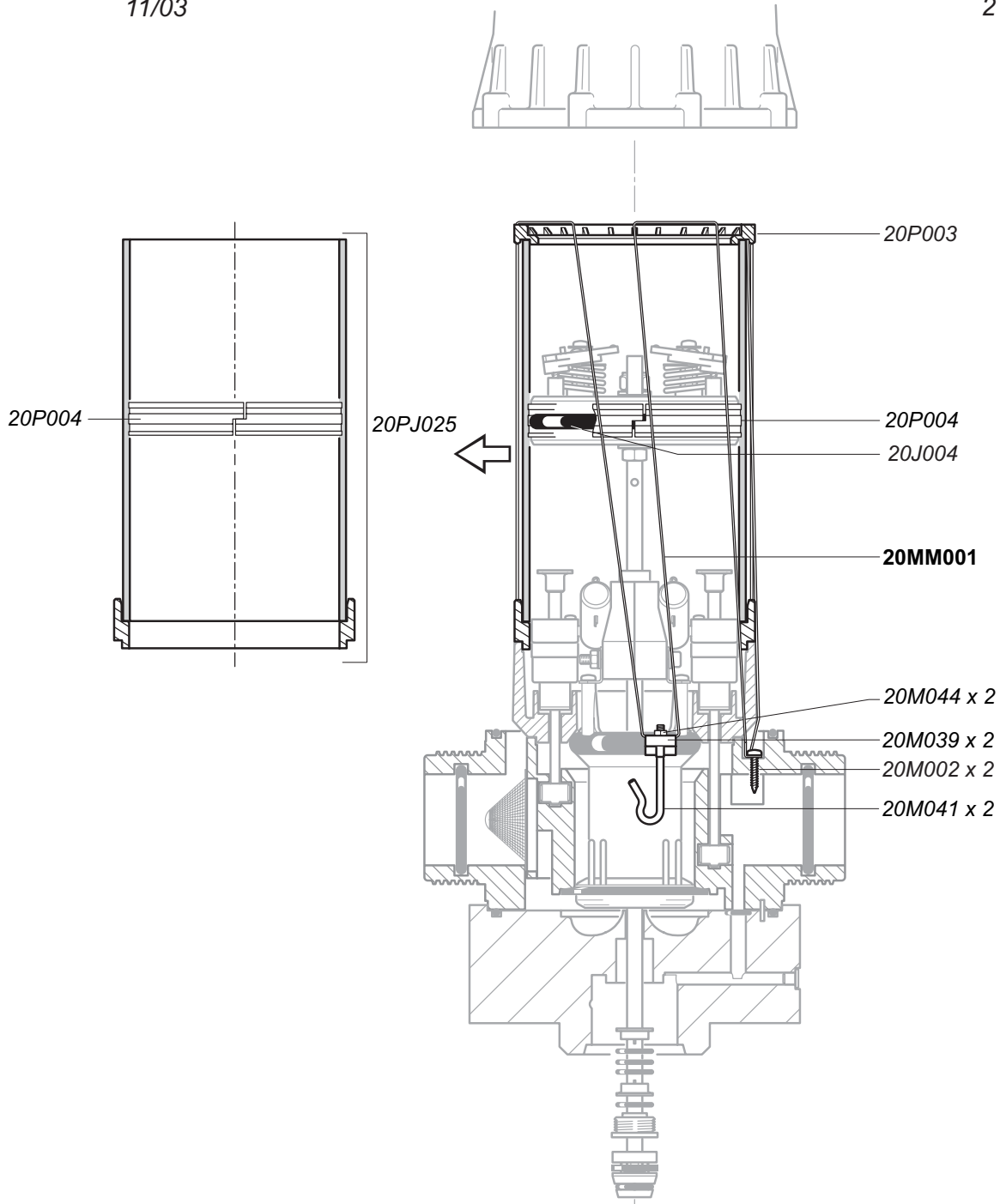
**D20S**  
11/03

100 GPM - 1:500 - 1:50  
2 - 120 psi



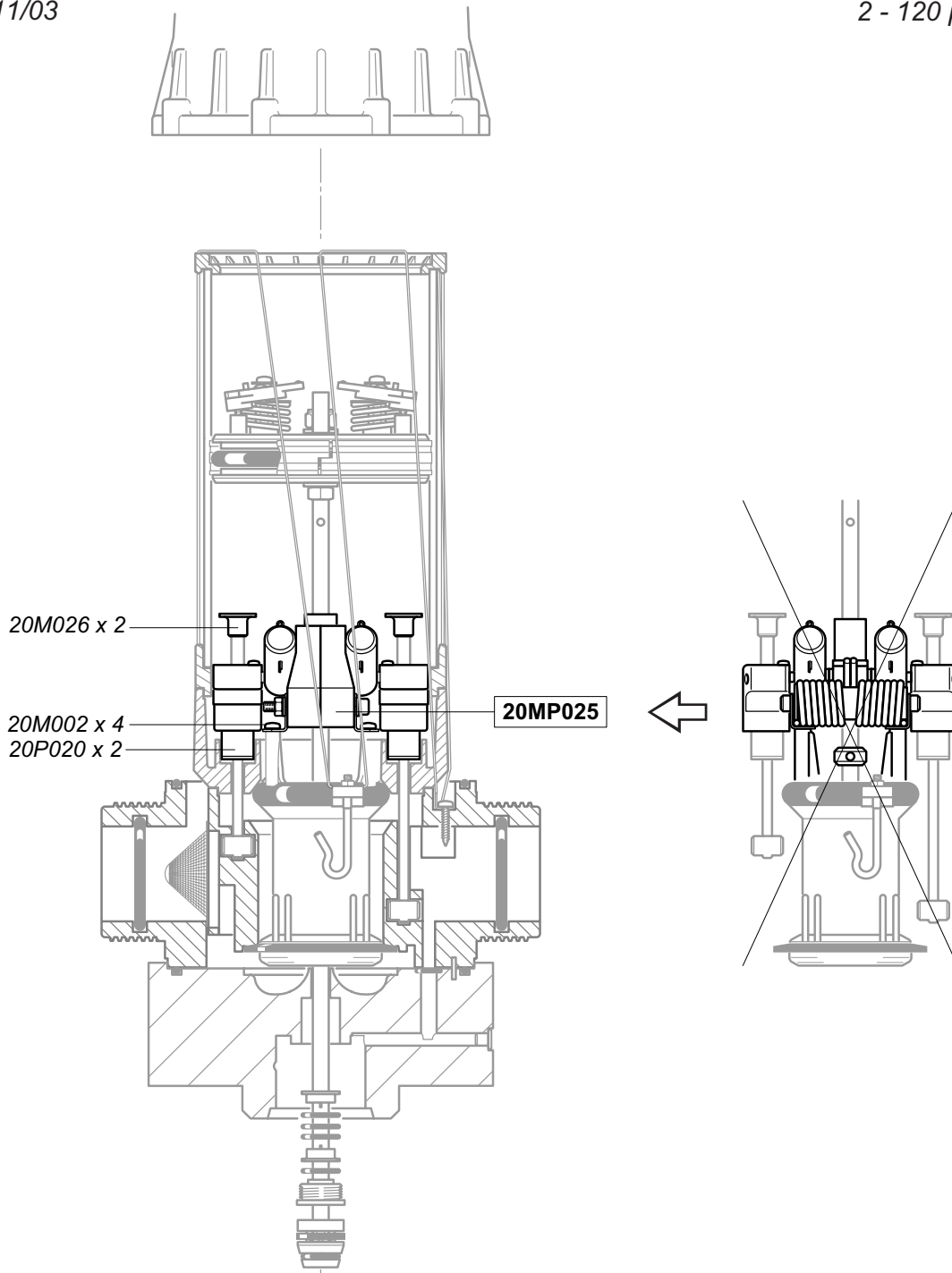
**D20S**  
11/03

100 GPM - 1:500 - 1:50  
2 - 120 psi



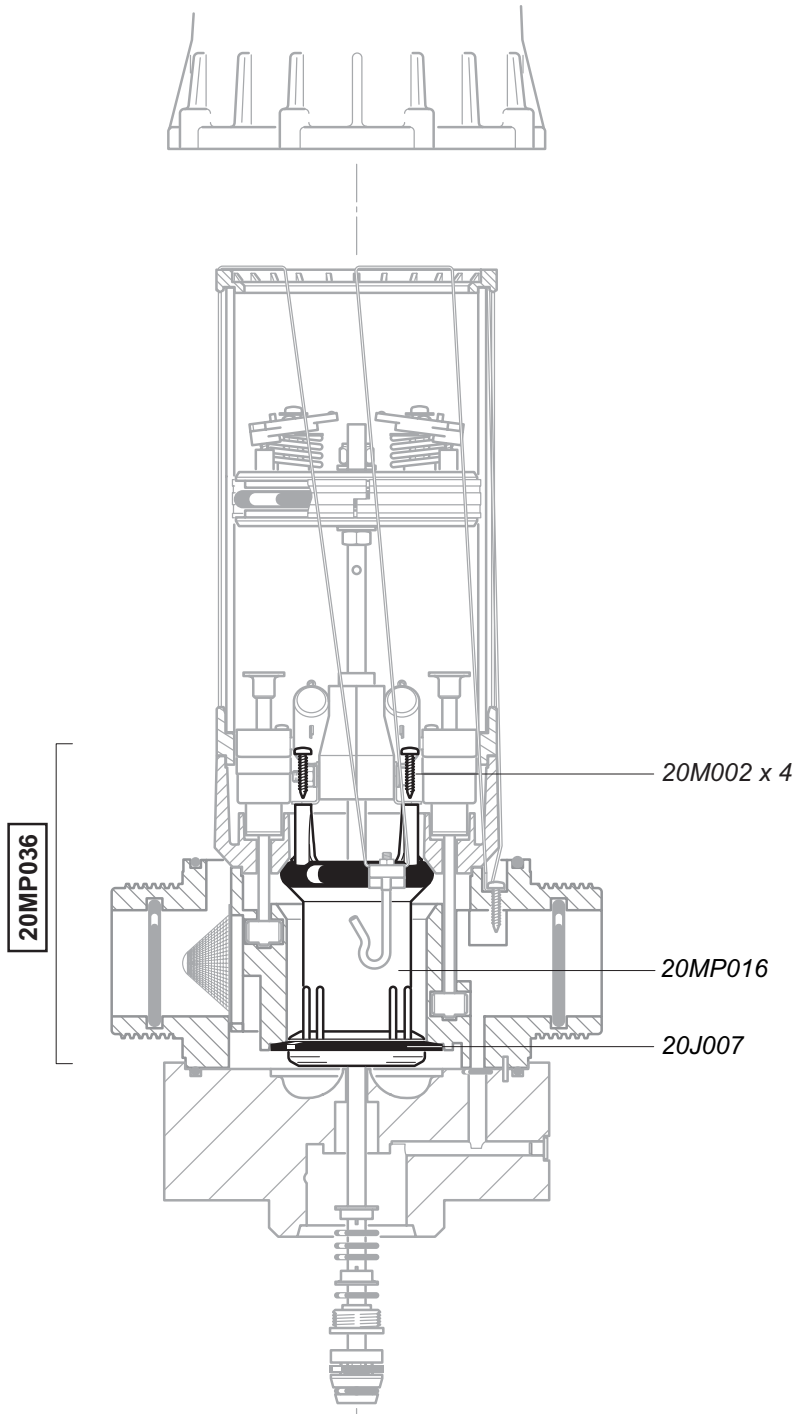
**D20S**  
11/03

100 GPM - 1:500 - 1:50  
2 - 120 psi



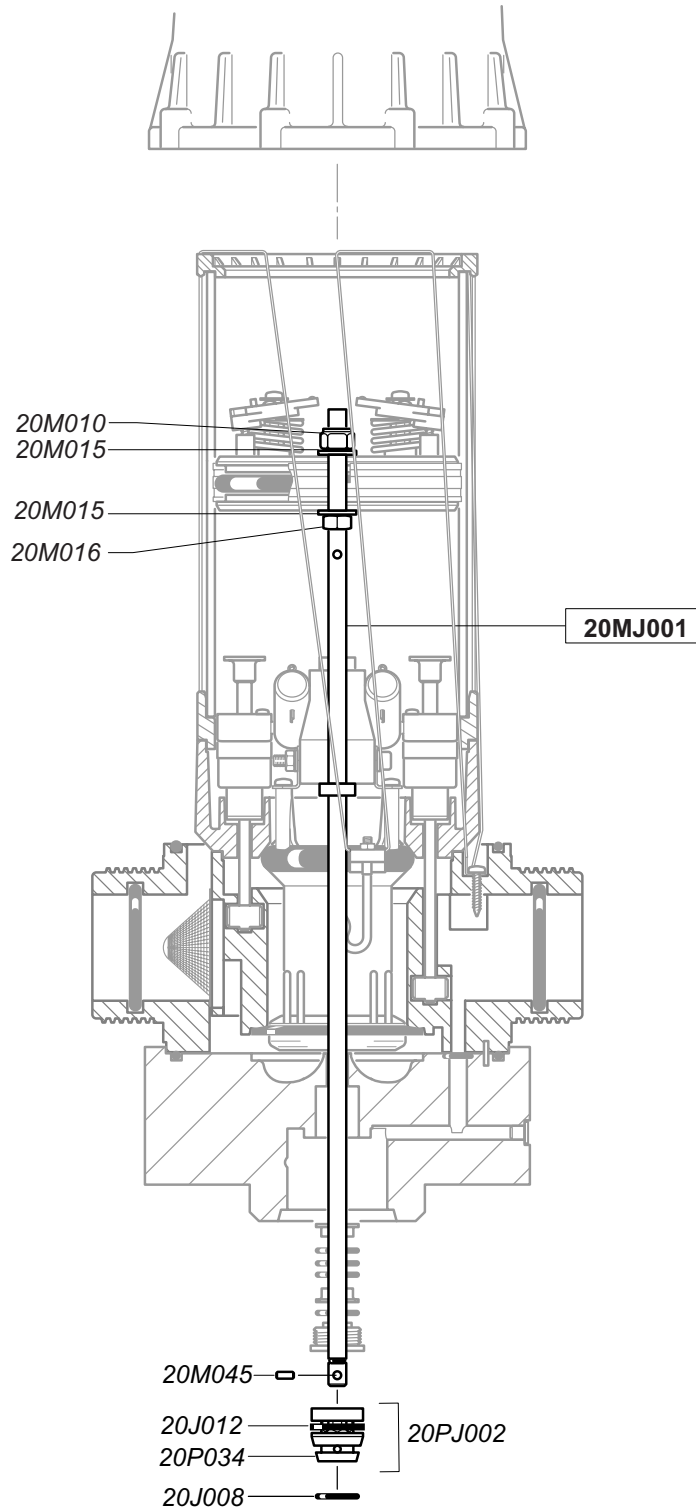
**D20S**  
11/03

100 GPM - 1:500 - 1:50  
2 - 120 psi



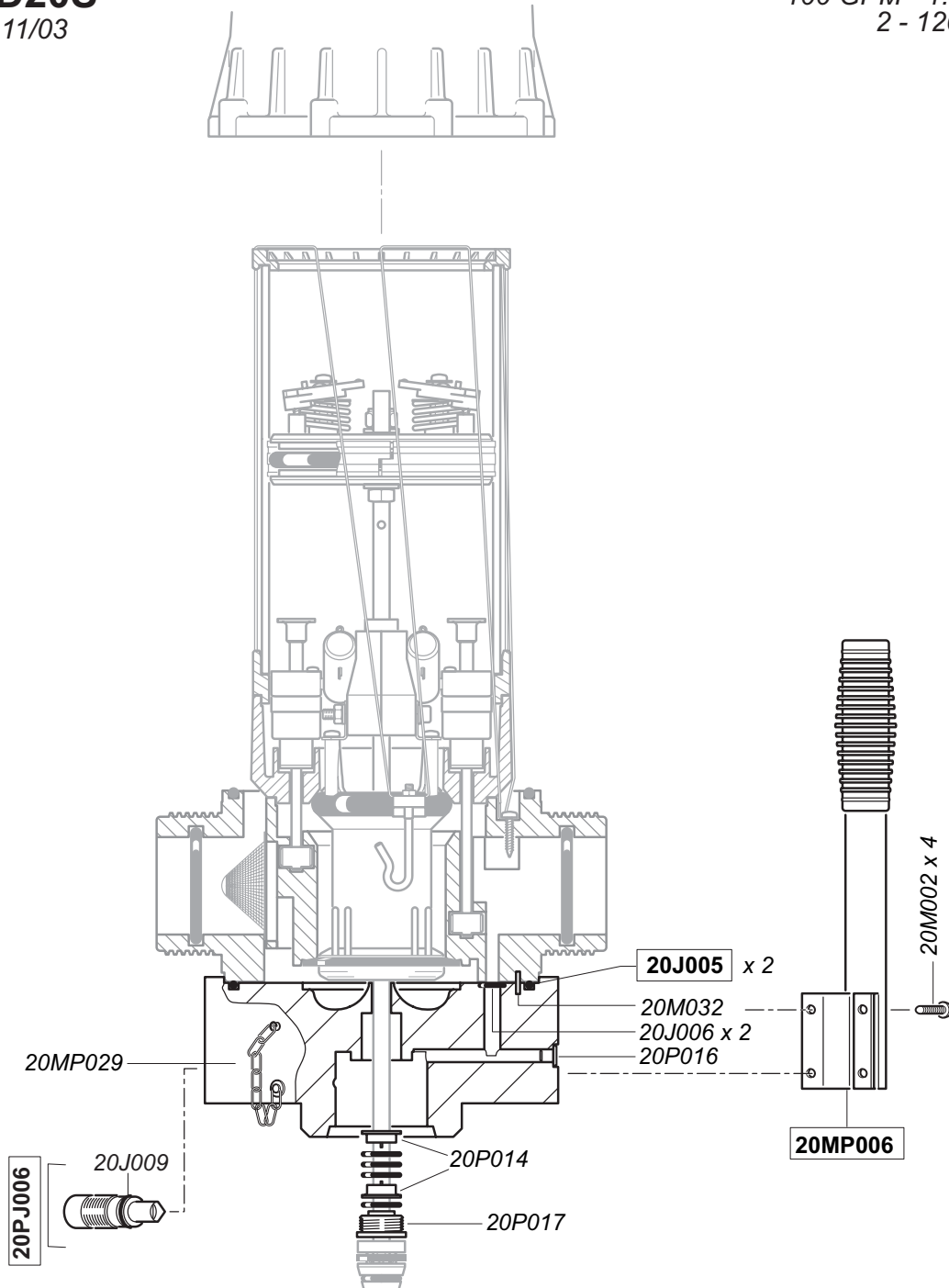
**D20S**  
11/03

100 GPM - 1:500 -1:50  
2 - 120 psi



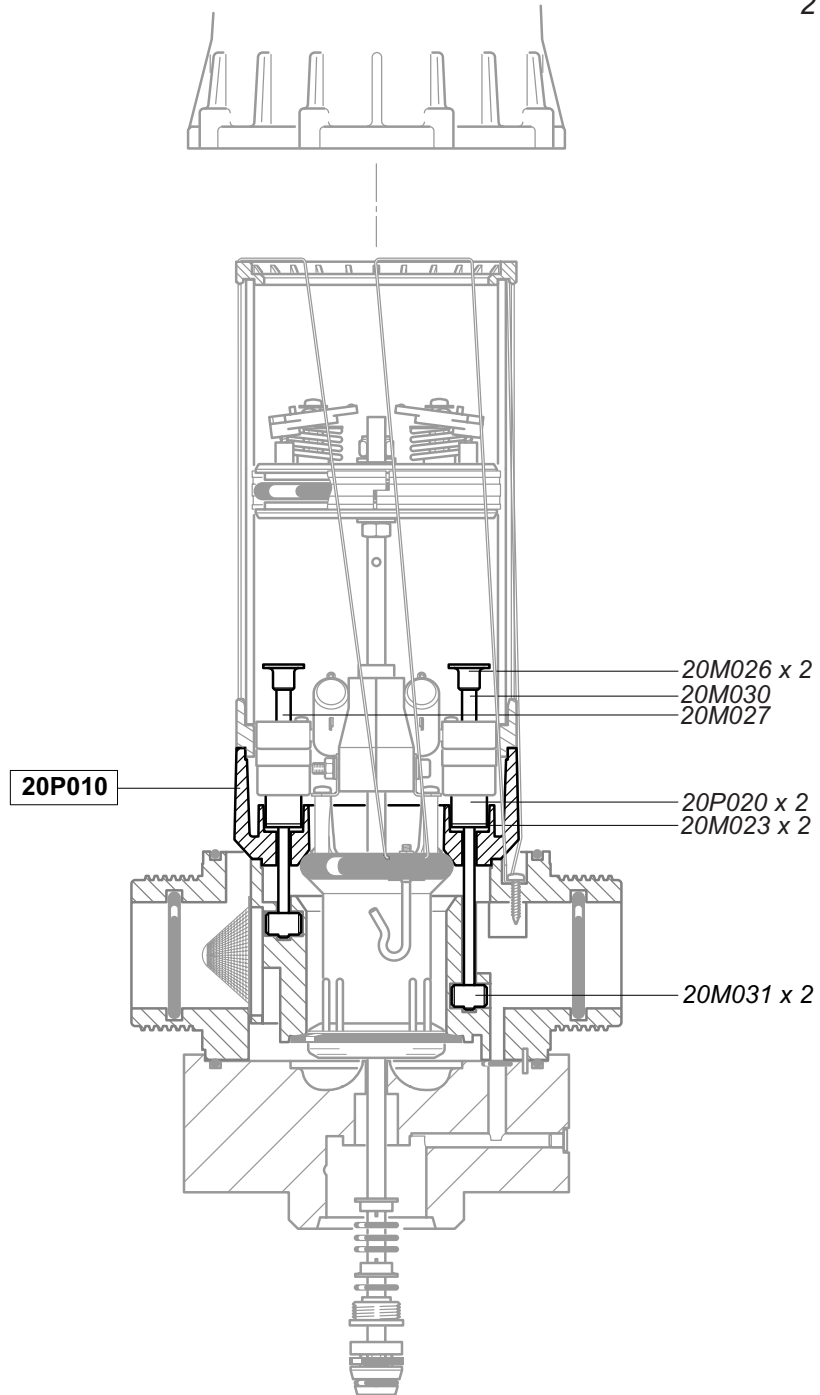
**D20S**  
11/03

100 GPM - 1:500 - 1:50  
2 - 120 psi



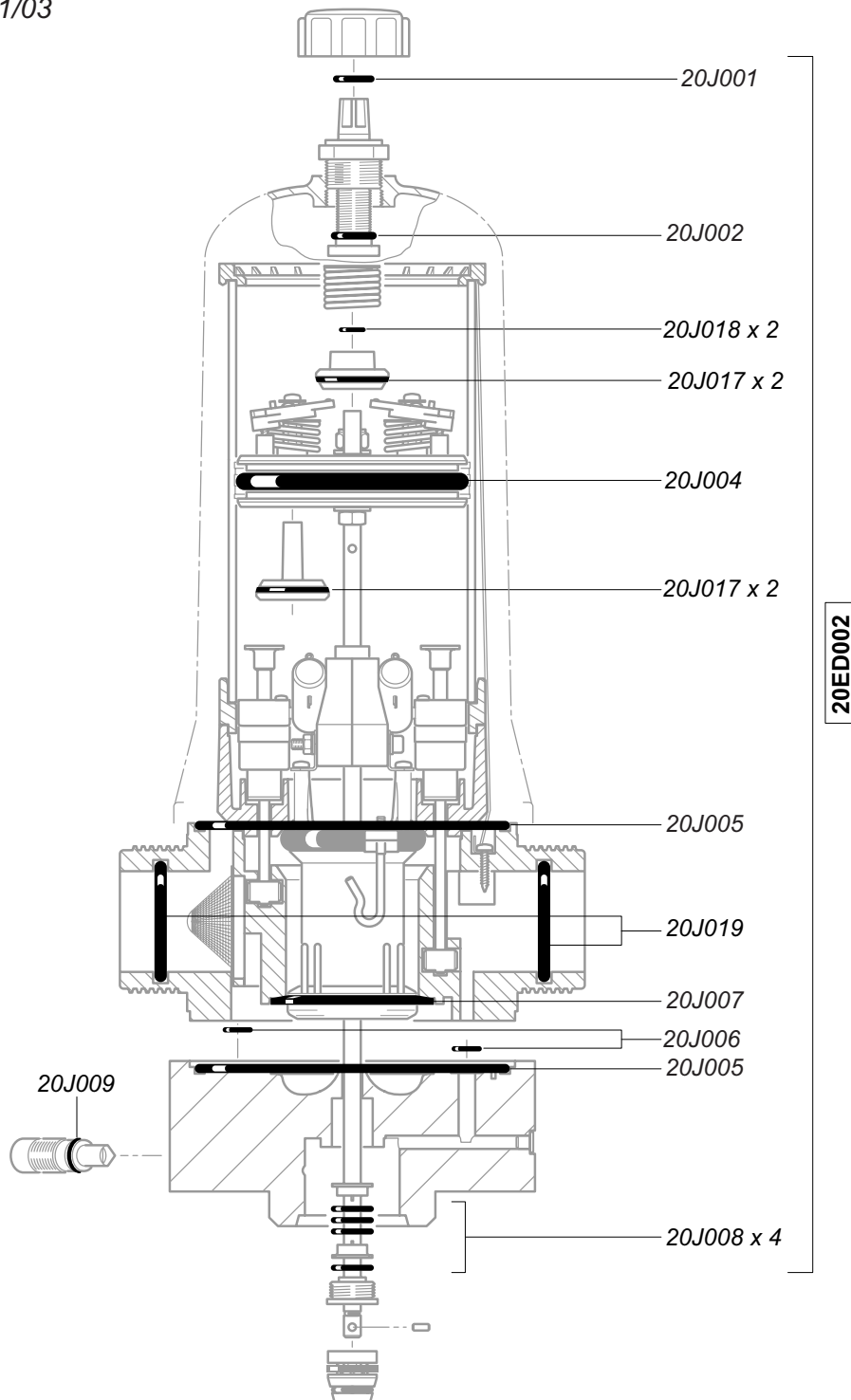
**D20S**  
11/03

100 GPM - 1:500 - 1:50  
2 - 120 psi



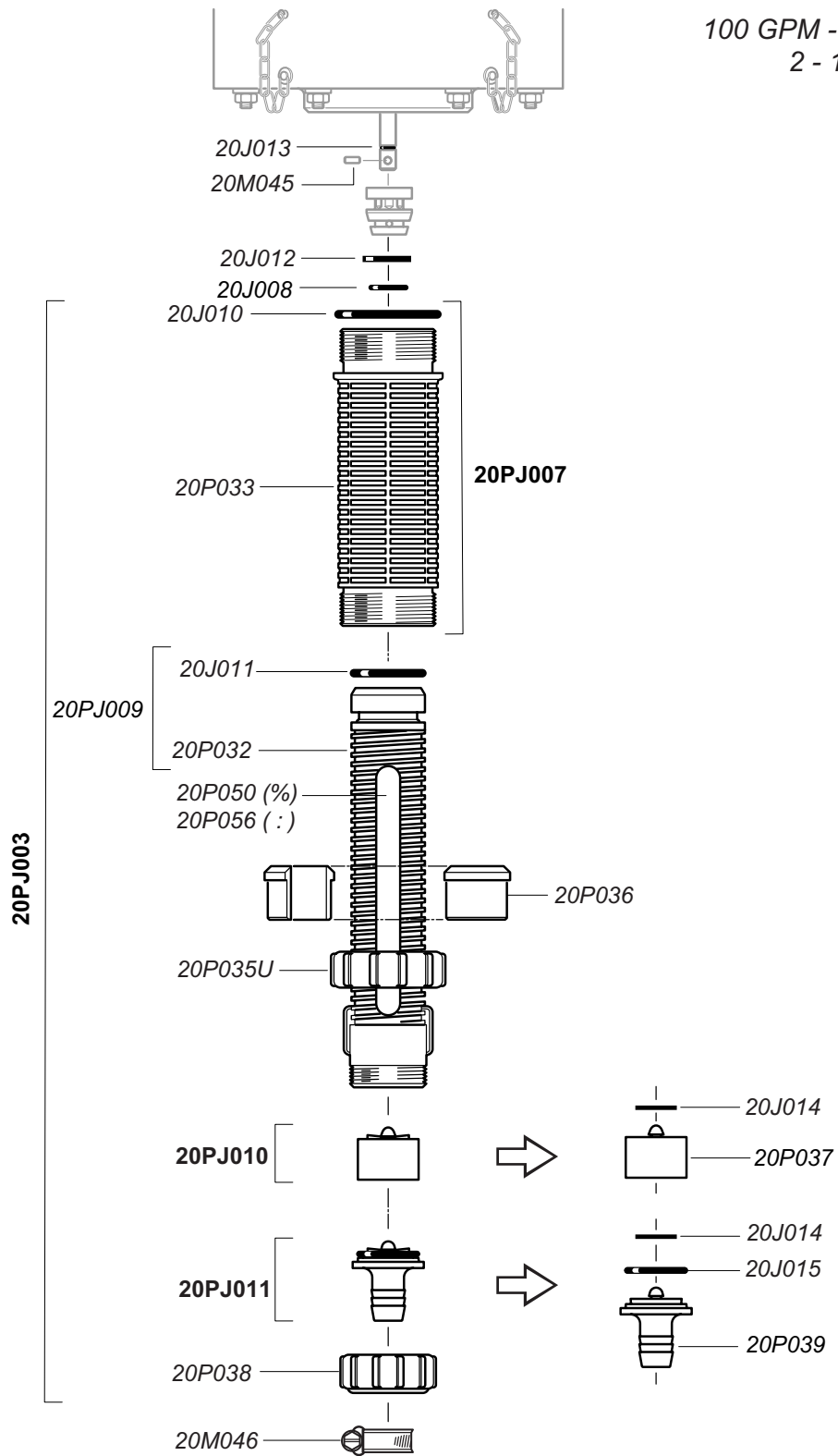
**D20S**  
11/03

100 GPM - 1:500 - 1:50  
2 - 120 psi



**D20S**  
11/03

100 GPM - 1:500 - 1:50  
2 - 120 psi



**D20S**  
11/03

100 GPM - 1:500 - 1:50  
2 - 120 psi

